

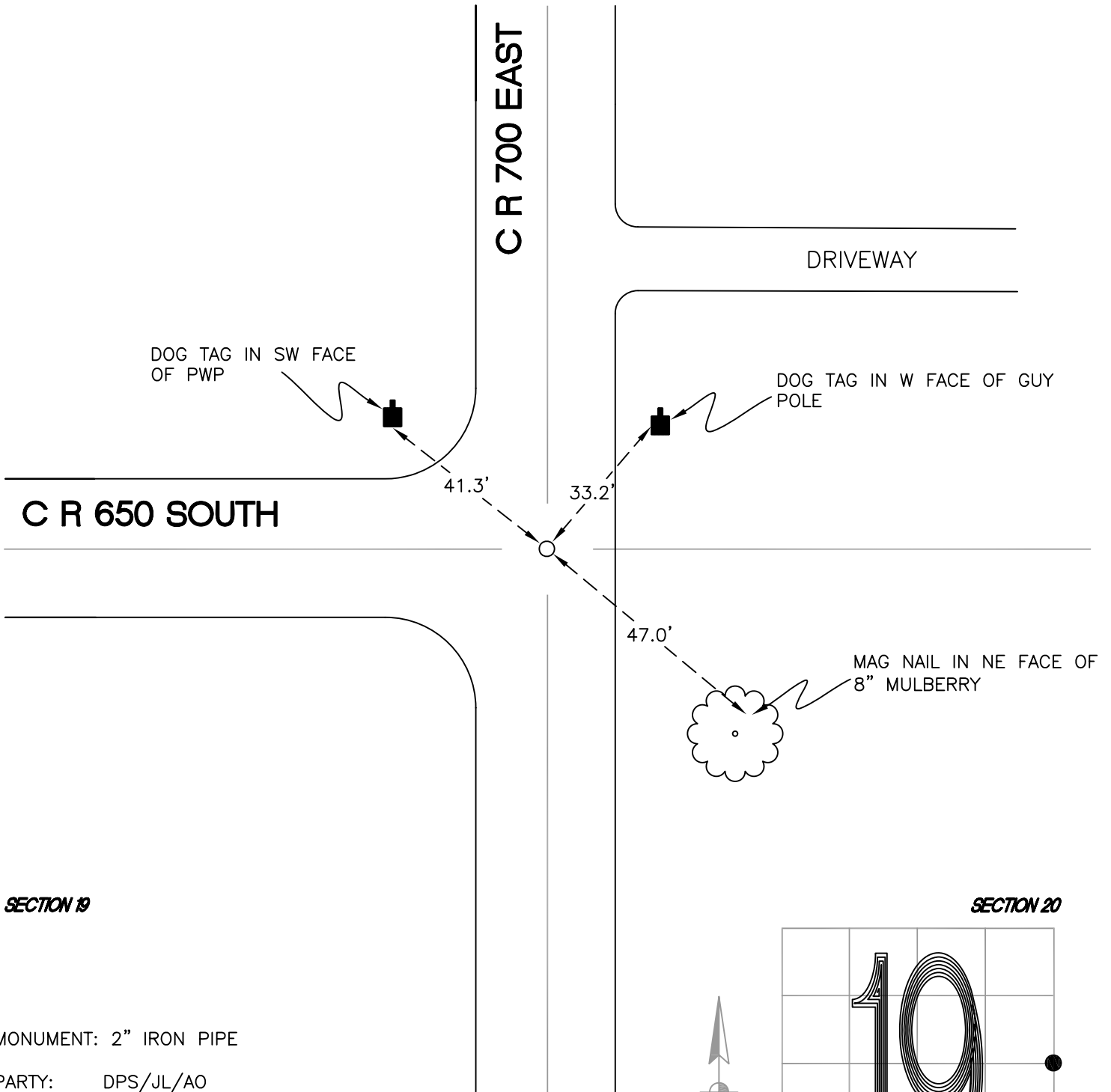
NORTH BEND TOWNSHIP

T 32 N, R 1 W

P5

SECTION 19

SECTION 20



SECTION 19

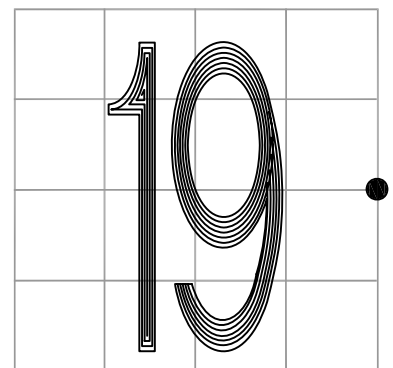
SECTION 20

MONUMENT: 2" IRON PIPE

PARTY: DPS/JL/AO

DATE: 6/4/12

COMMENTS: 3" BELOW GRADE



CORNER LOCATION IN THE SECTION

P5