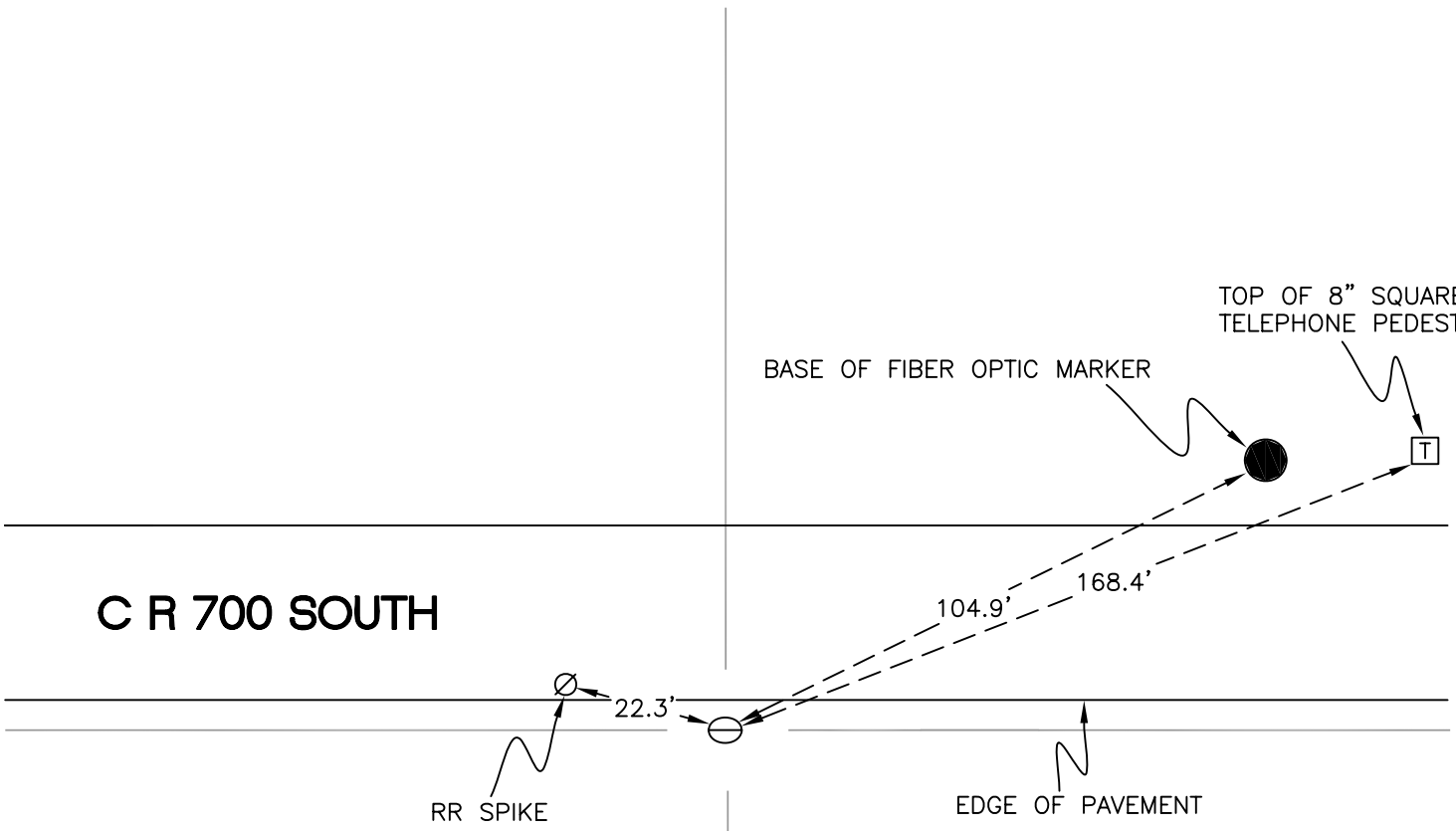


CALIFORNIA TOWNSHIP
T 32 N, R 2 W
R3

SECTION 19

SECTION 19



SECTION 30

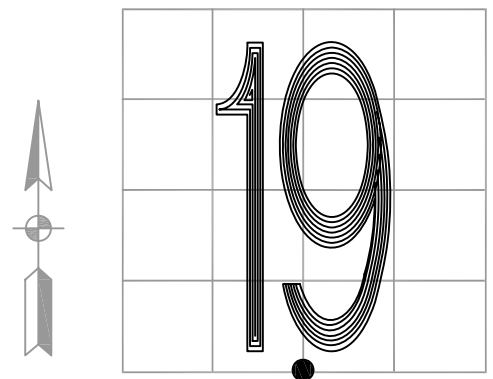
SECTION 30

MONUMENT: 1" PINCH PIPE

PARTY: DPS/JL

DATE: 7/15/14

COMMENTS: MONUMENT IS 4" BELOW GRADE AND 11' S OF C OF 700 S. FOUND AND USED BY WIGHTMAN CRAMER IN A SURVEY AS SHOWN IN DEED RECORD MM 651.



CORNER LOCATION IN THE SECTION

R3