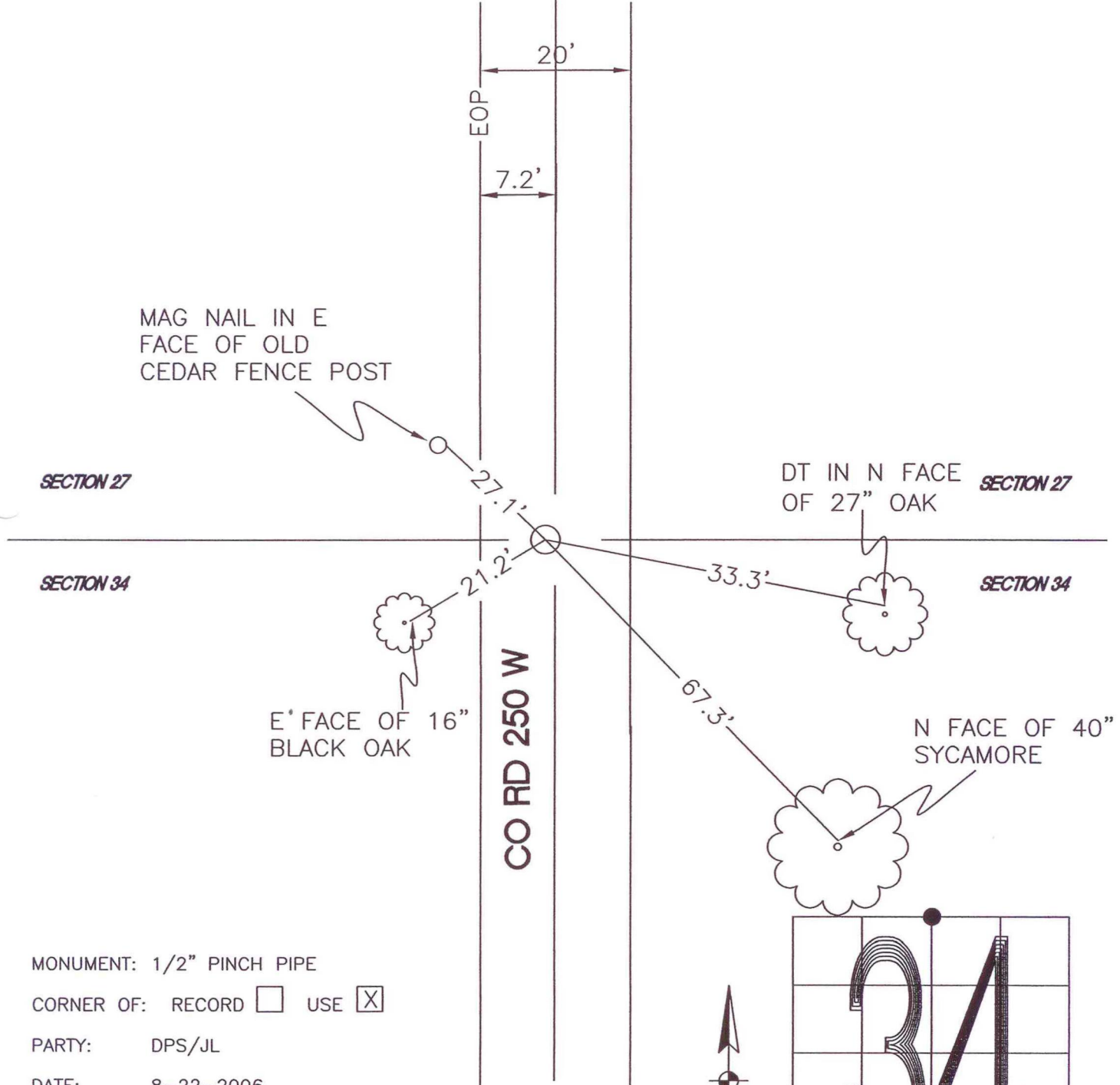


# JACKSON TOWNSHIP

T 33 N, R 3 W

## V15



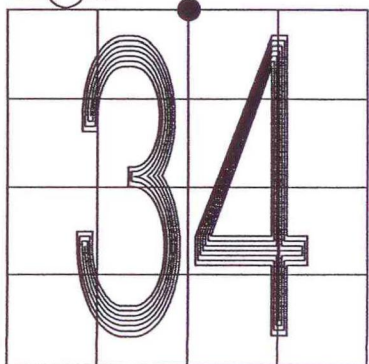
MONUMENT: 1/2" PINCH PIPE

CORNER OF: RECORD  USE

PARTY: DPS/JL

DATE: 8-22-2006

COMMENTS: PINCH PIPE IS 3' W OF CENTER LINE



## V15

CORNER LOCATION IN THE SECTION