

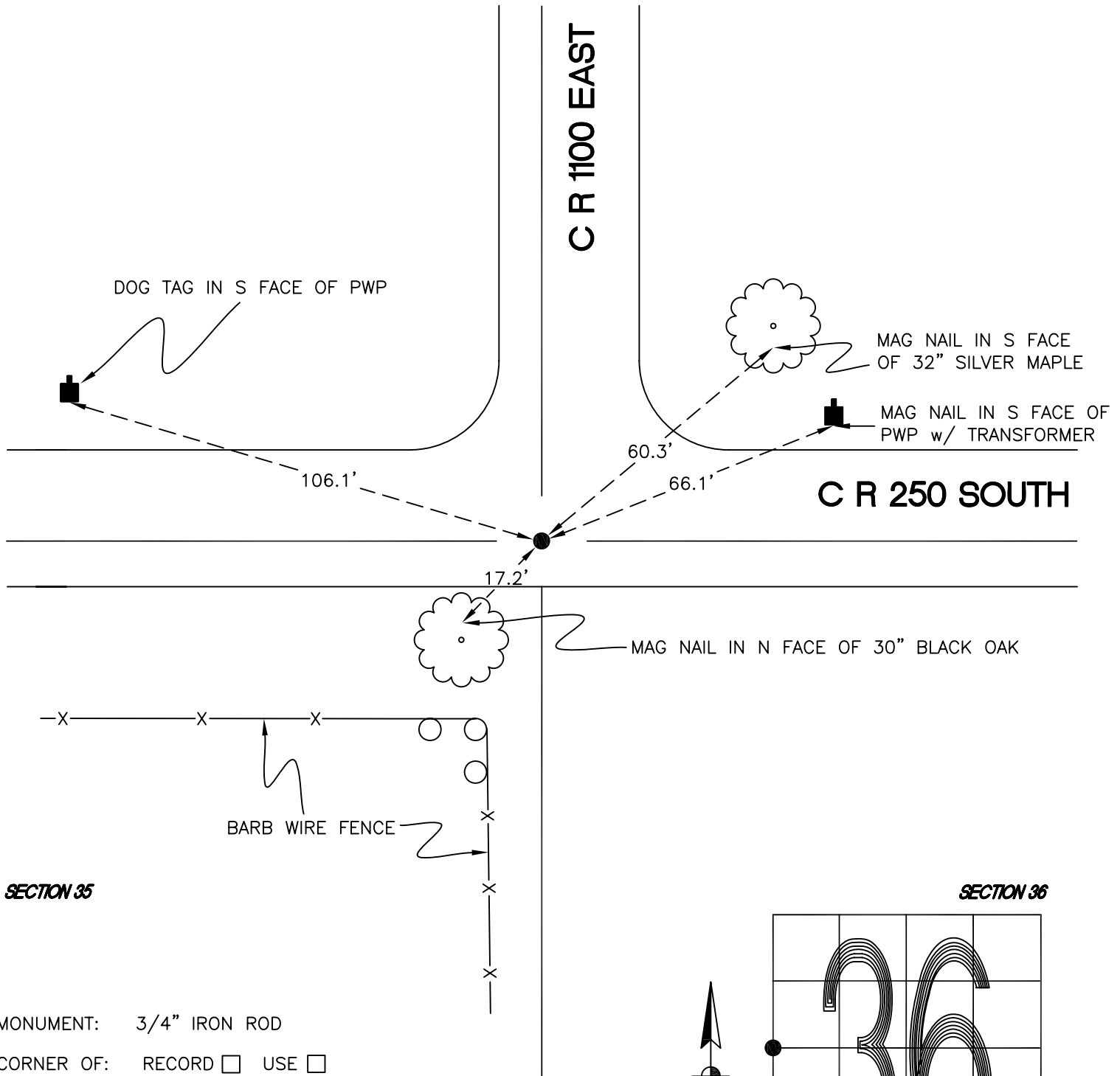
WASHINGTON TOWNSHIP

T 33 N, R 1 W

X21

SECTION 35

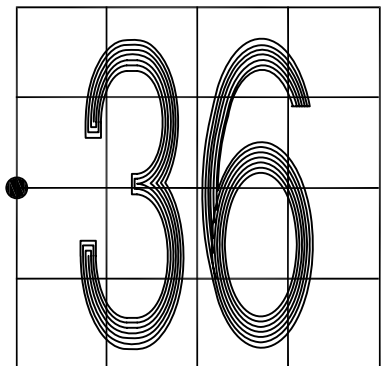
SECTION 36



SECTION 35

SECTION 36

MONUMENT: 3/4" IRON ROD
CORNER OF: RECORD USE
PARTY: JL/PM
DATE: 7-9-2008
COMMENTS: 4' W OF ϕ OF 1100E; 4' S OF ϕ OF 250S



CORNER LOCATION IN THE SECTION

X21