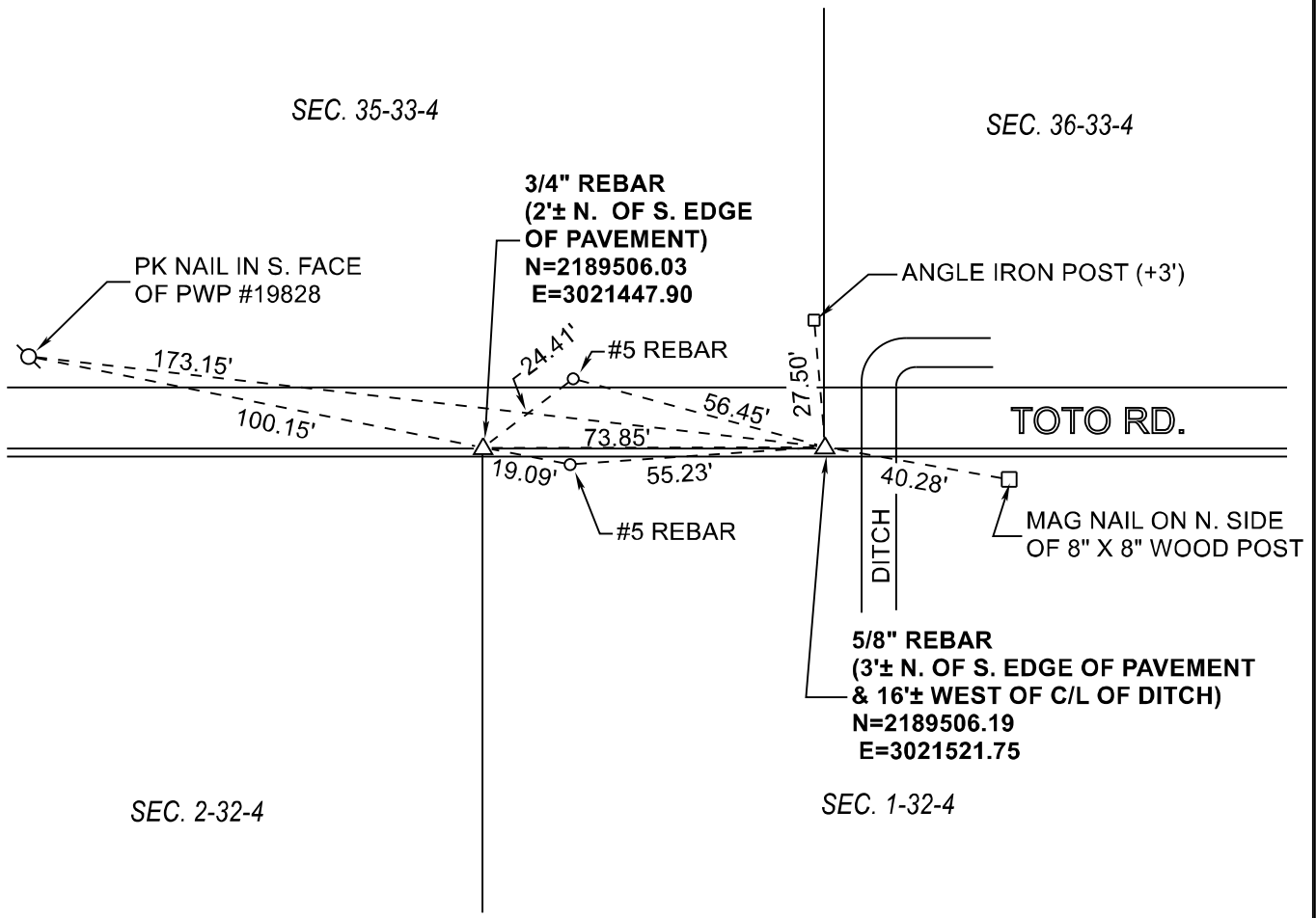


RAILROAD TOWNSHIP

T 32 N, R 4 W

A21



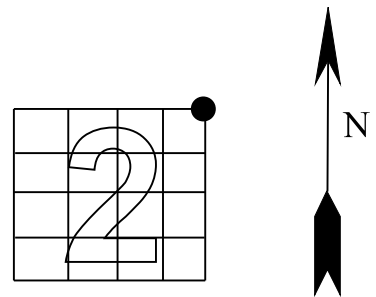
MONUMENT: 3/4" REBAR (REPLACES BENT 5/8" REBAR)

PARTY: SES / SIB

DATE: 09/20/2018

DATUM: NAD 83 (2011) INDIANA STATE PLANE WEST

COMMENTS: RECOVERED 3-28-90 BY SJF / DC.
SOURCE OF INFORMATION: TERRITORIAL ENGINEERING



CORNER LOCATION

ACRES SURVEYING AND MAPPING, LLC
 Stephen E. Shannon, Professional Land Surveyor
 PO Box 796, La Porte, IN 46352
 219-877-8711 • www.acreslandsurveying.com

Section Corner Records
 Railroad Township, Starke County, IN
 (T 32 N, R 4 W)

REVISIONS		JOB NUMBER: 18-1257	
DATE:	CODE:	NOT TO SCALE	
		DATE:	
		DRAWN BY: SES	
		REVIEWED BY:	1 1
		SES	